



Name	SB008 IP65 on-off-on 13x19.2mm
Rated Range	6(3)A 250VAC
Contact resistance	$\leq 50\text{m}\Omega$
Insulation resistance	$\geq 1000\text{M}\Omega$
Compressive strength	1500VAC 50Hz, 1Min
Electrical life	10000time
Mechanical life	10000time
Press power	2N~8N
Operating temperature	-25°C ~ +55°C
Degree of protection	IP65
Hypothermia	-25°C

Weldability

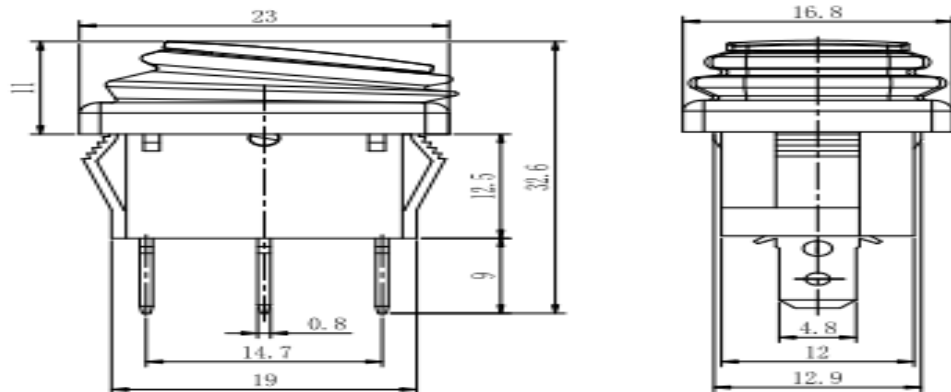
$\leq 320^{\circ}\text{C}$ ,  $\leq 3\text{S}$

Resistance to soldering heat pick

$\leq 320^{\circ}\text{C}$ ,  $\leq 3\text{S}$

Material

PA66



Z: 安装面板  
厚度

Z	X	Y
0.75 ~ 1.25	$19.4^{+0.10}_{0.00}$	$13.0^{+0.10}_{0.00}$
1.25 ~ 2.00	$19.5^{+0.10}_{0.00}$	$13.0^{+0.10}_{0.00}$
2.00 ~ 3.00	$19.6^{+0.10}_{0.00}$	$13.0^{+0.10}_{0.00}$

RUICHI